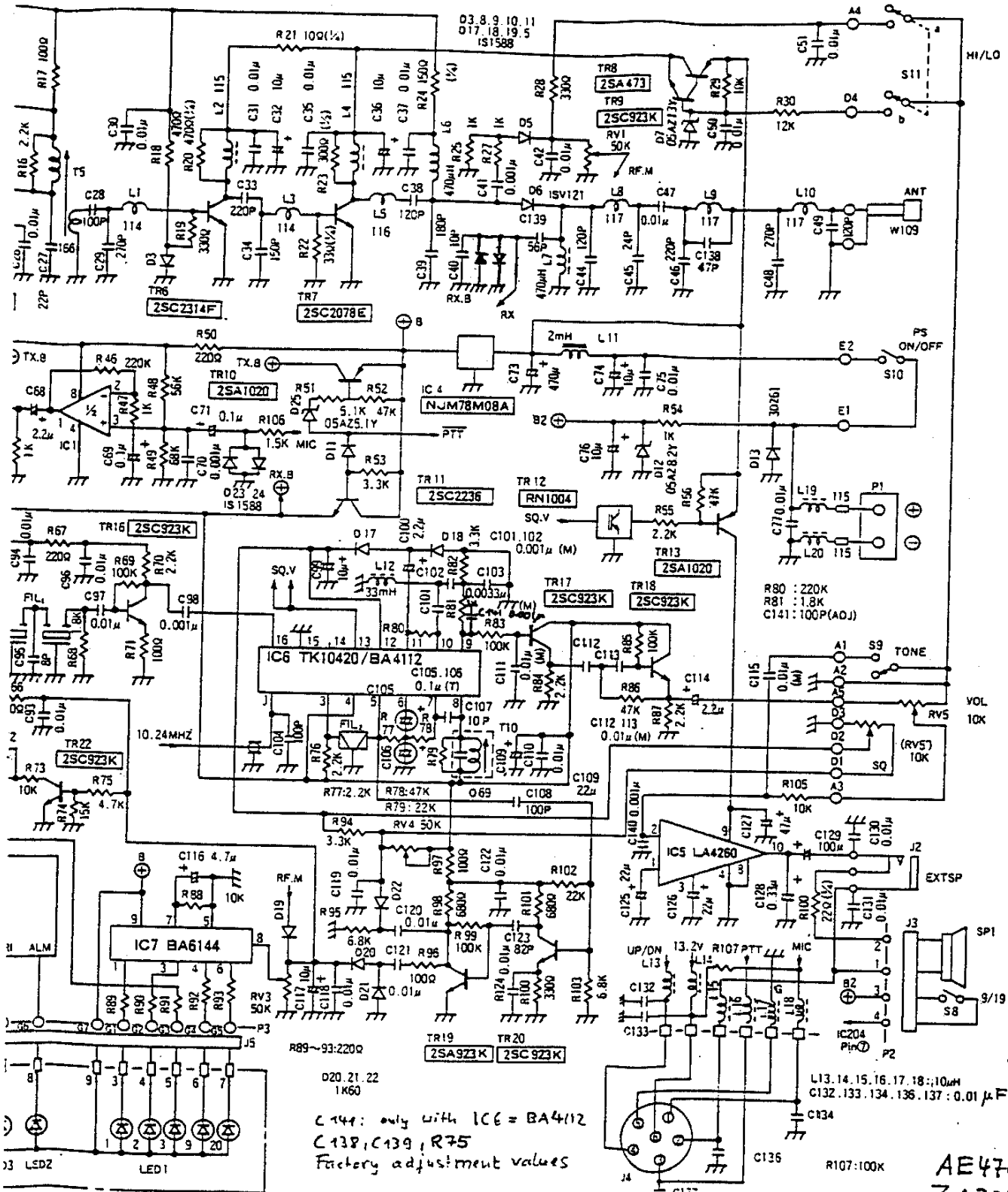


ATIC DIAGRAM



AE4700
 Z130010
 Z114090
 4700-C2